

NS 35/15 UNPERF 2000MM - DIN rail, unperforated



1201714

<https://www.phoenixcontact.com/au/products/1201714>

Please be informed that the data shown in this PDF document is generated from our Online Catalog. Please find the complete data in the user documentation. Our General Terms of Use for Downloads are valid.



DIN rail, unperforated, similar to EN 60715, material: Steel, galvanized, passivated with a thick layer, Standard profile, color: silver, Pack of 25 (50 m)

Commercial Data

Item number	1201714
Packing unit	25 pc
Minimum order quantity	5 pc
Sales Key	BG4234
Product Key	BE7234
Catalog Page	Page 530 (C-3-2019)
GTIN	4017918017453
Weight per Piece (including packing)	1,330 g
Weight per Piece (excluding packing)	1,330 g
Customs tariff number	72166190
Country of origin	DE

NS 35/15 UNPERF 2000MM - DIN rail, unperforated



1201714

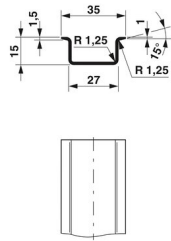
<https://www.phoenixcontact.com/au/products/1201714>

Technical Data

Product properties

Product type	DIN rail
--------------	----------

Dimensions

Dimensional drawing	
Width	35 mm
Height	15 mm
Length	2000 mm

Material specifications

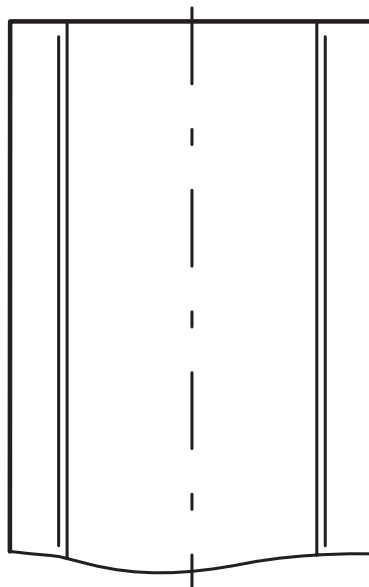
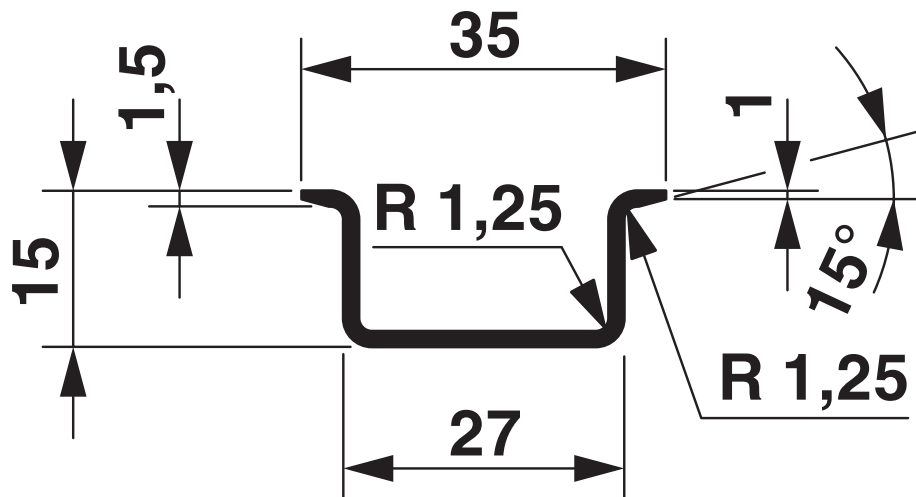
Color	silver
Material	Steel
Coating	galvanized, passivated with a thick layer

Standards and regulations

Connection in acc. with standard	IEC / EN
Tests	similar to EN 60715

Drawings

Dimensional drawing



NS 35/15 UNPERF 2000MM - DIN rail, unperforated



1201714

<https://www.phoenixcontact.com/au/products/1201714>

Classifications

ECLASS

ECLASS-11.0	27400602
ECLASS-13.0	27400602
ECLASS-13.0	27400602
ECLASS-12.0	27400602

ETIM

ETIM 8.0	EC001285
----------	----------

UNSPSC

UNSPSC 21.0	39121700
-------------	----------

NS 35/15 UNPERF 2000MM - DIN rail, unperforated



1201714

<https://www.phoenixcontact.com/au/products/1201714>

Environmental Product Compliance

China RoHS	Environmentally friendly use period: unlimited = EFUP-e
	No hazardous substances above threshold values

Phoenix Contact 2023 © - all rights reserved
<https://www.phoenixcontact.com>

PHOENIX CONTACT PTY Ltd
Unit 7, 2-8 South Street
Rydalmere NSW 2116
1300 786 411
customerservice@phoenixcontact.com.au